



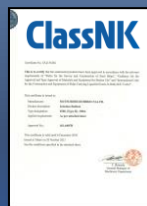
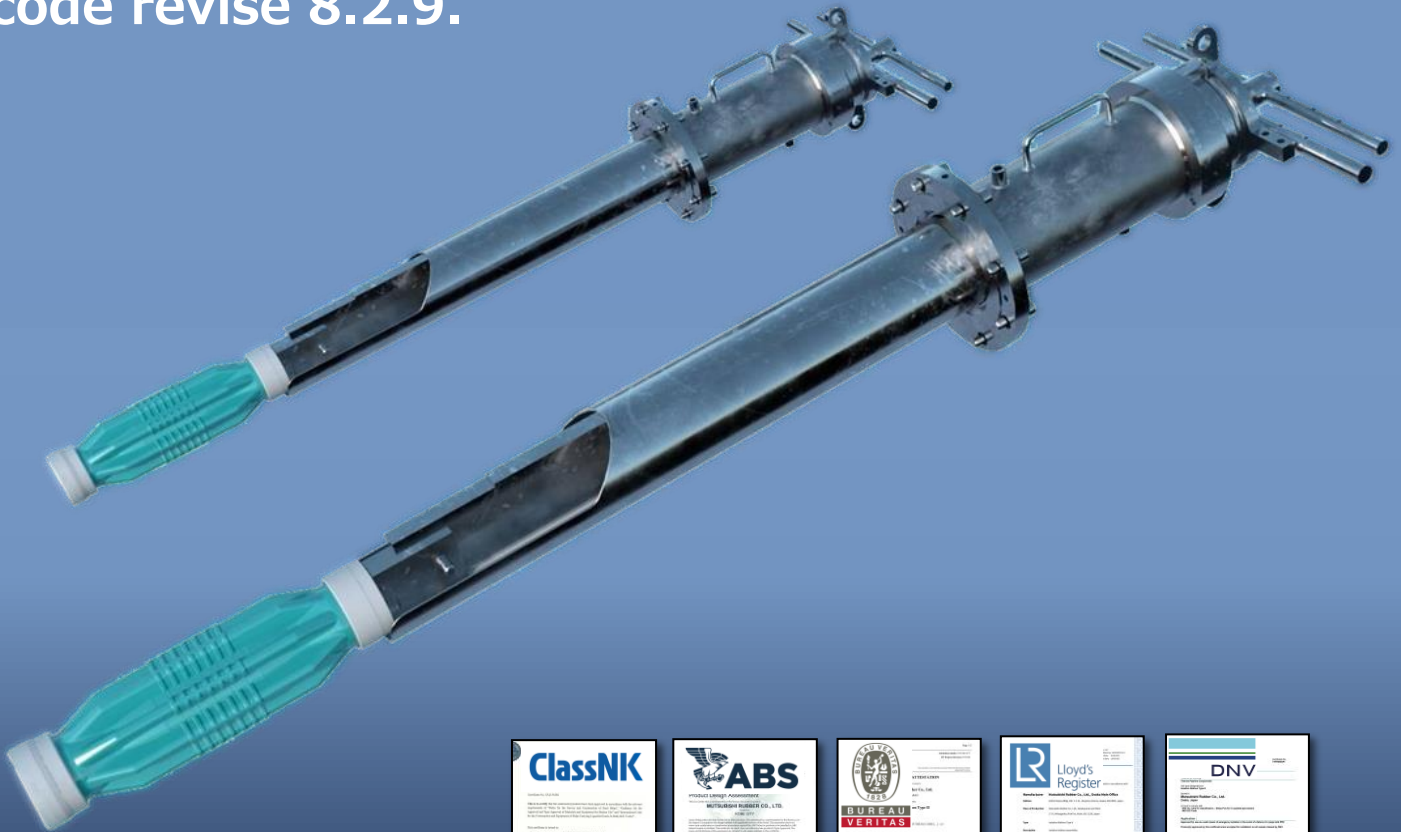
# ISOLATION BALLOON

PAT. Type-II



For the replacement and maintenance of safety valve.

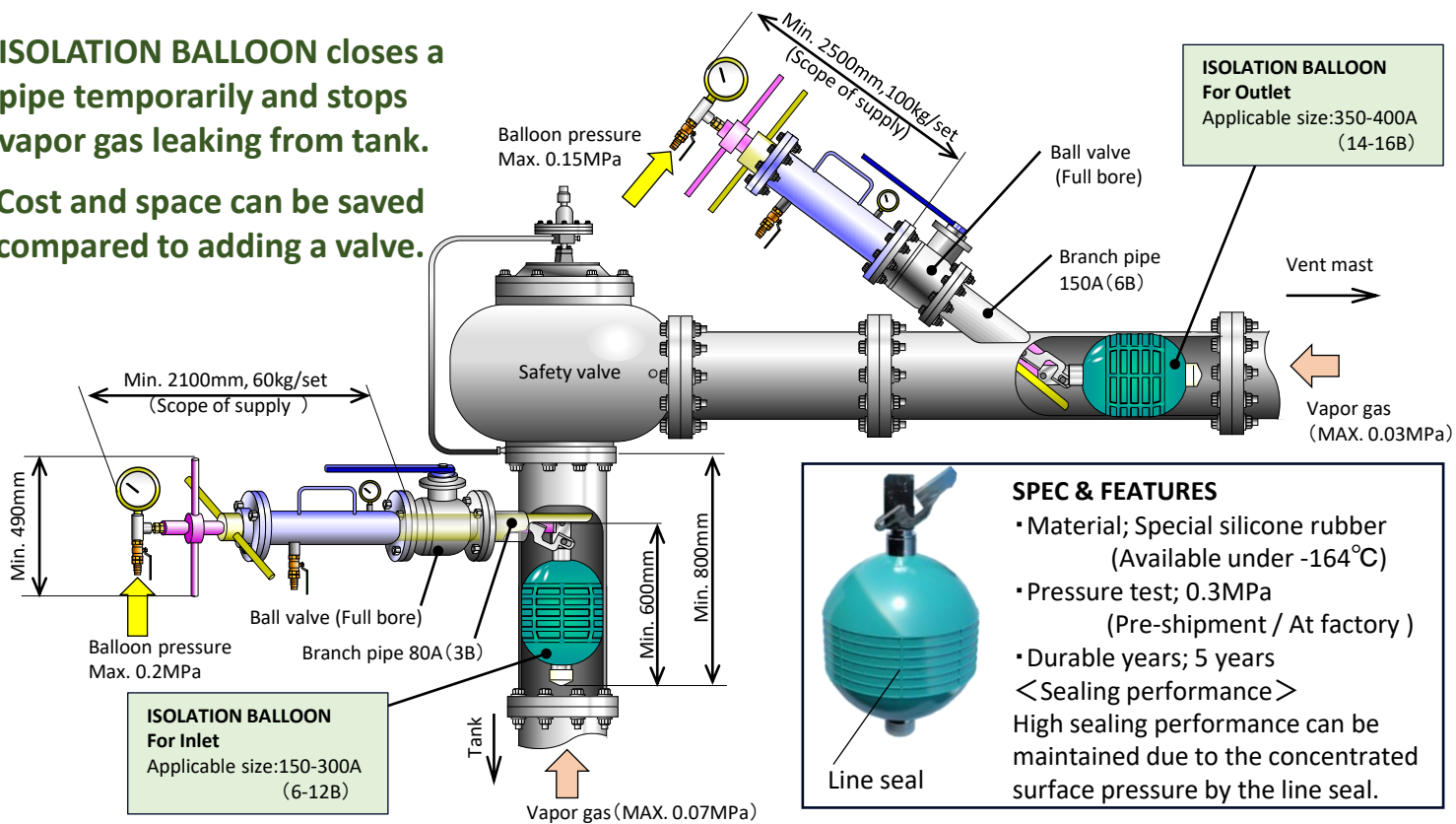
ISOLATION BALLOON Type-II was developed for tank safety valve to conform revision of IGC (International Maritime Organization) code revise 8.2.9.



## MITSUBISHI RUBBER CO., LTD.

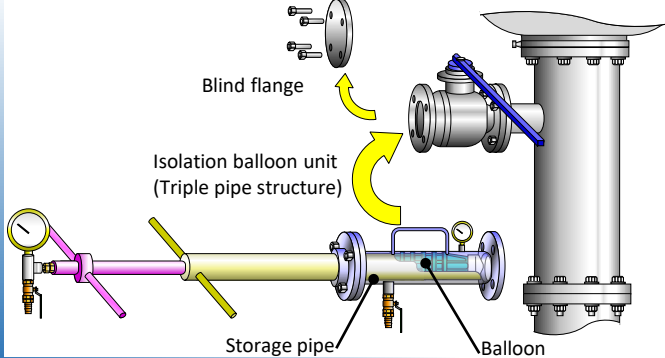
# OUTLINE

- ISOLATION BALLOON closes a pipe temporarily and stops vapor gas leaking from tank.
- Cost and space can be saved compared to adding a valve.

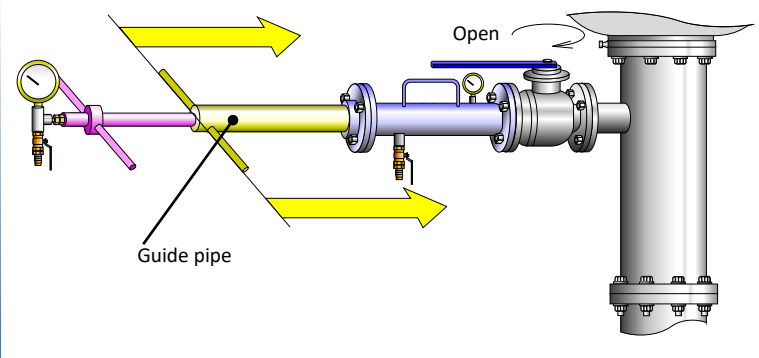


## OPERATING PROCEDURE

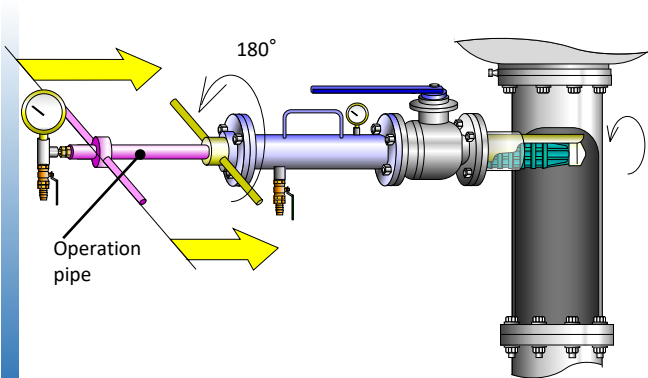
### STEP-1 1) Remove the blind flange 2) Install the balloon unit



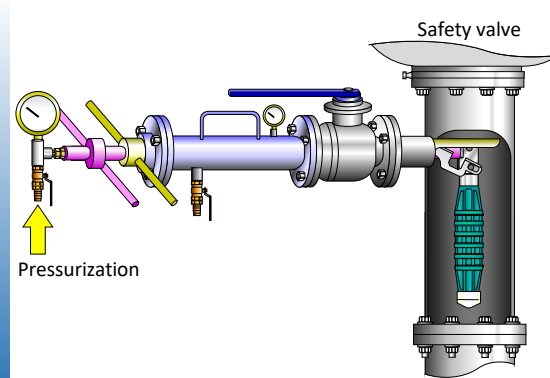
### STEP-2 3) Open the valve 4) Insert the guide pipe



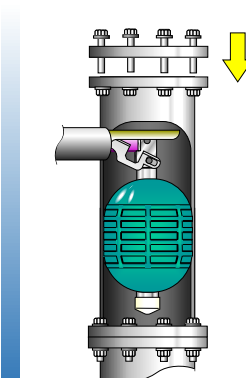
### STEP-3 5) Rotate the guide pipe 180° 6) Insert the operation pipe



### STEP-4 7) Pressurize the balloon 8) Remove the safety valve



### STEP-5 9) Install the blind flange



 **MITSUBISHI RUBBER CO., LTD.**

• Head Office 2-1-31, Dujima, Kita-ku, Osaka 5300001  
 • Headquarter & Plant 2-3-5, Mitsugaoka, Nishi-ku, Kobe 6512228  
 • Tokyo Branch 1-8-7, Roppongi, Minato-ku, Tokyo 1060032  
 • Fukuoka Branch 2-1, Nakahara shinmachi, Tobata-ku, Kitakyushu 8040003  
 • Nagoya Branch 2-20-25, Marunouchi, Naka-ku, Nagoya 460-0002  
 • Oita Office 6-15, Harashinmachi, Oita 8700913  
 • Kisarazu Office 3-4-3, Yamato, Kisarazu-City, Chiba 2920805  
 • Kobe Office 9-1-30, Wakamatsu-cho, Nagata-ku, Kobe 6530038

TEL. +81-6-6344-3555 FAX. +81-6-6344-5660  
 TEL. +81-78-995-3331 FAX. +81-78-995-3332  
 TEL. +81-3-5114-8551 FAX. +81-3-5114-8552  
 TEL. +81-93-873-5606 FAX. +81-93-873-5606  
 TEL. +81-52-223-0202 FAX. +81-52-223-8256  
 TEL. +81-97-556-5615 FAX. +81-97-556-5711  
 TEL. +81-438-20-1600 FAX. +81-438-97-7336  
 TEL. +81-78-641-5681 FAX. +81-78-641-5033